



GENERAL DESCRIPTION:

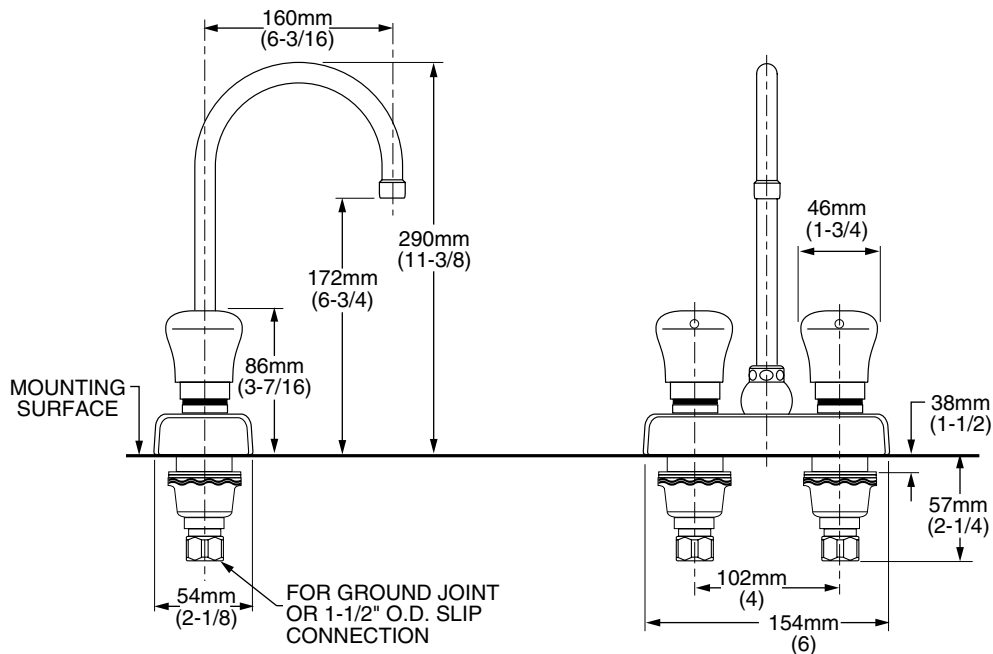
Metering centerset faucet with rigid/swivel gooseneck spout. Vandal-resistant solid brass construction. Easy-push handles. Water conserving pressure compensating 1.5 GPM vandal-resistant aerator. Factory set for a maximum of 0.25 gallon flow per activation. Replaceable valve cartridge. Adjustable flow cycle.

MODEL NUMBER:

- **1340.265** 6" Rigid/swivel gooseneck spout, 1.5 GPM pressure compensating, vandal-resistant aerator

PRODUCT FEATURES:

- **Pressure Compensating Aerator:** Provides a constant water flow of 1.5 gpm throughout the pressure range.
- **Vandal-Resistant Brass Construction and Aerator:** Durable - Excellent in high use applications.
- **Automatic Shut-off:** Stops water and energy waste. Ideal for public restrooms where uncontrolled water usage is costly.
- **Meets ADA Standard:** Requires less than 5 lbs. of operating force to initiate flow per ANSI A117.1.
- **Adjustable Flow Cycle**
- **Replaceable Valve Cartridge:** Facilitates simple replacement.
- **Hot/Cold Button Indicators**



SUGGESTED SPECIFICATION

Metering faucet shall feature a vandal-resistant brass construction with a replaceable valve cartridge and an adjustable flow cycle. Shall also feature a water-conserving pressure compensating 1.5 gpm/5.7L/min vandal-resistant aerator. Factory set to maintain flow below the maximum 0.25 gallons per cycle required by ANSI A112.18.1M. Push button activator shall meet ANSI A117.1 Standard. Fitting shall be American Standard Model # 1340.265.002.

CODES AND STANDARDS

These products meet or exceed the following codes and standards:

- ANSI A117.1**
- ASME A112.18.1**
- CSA B 125**
- NSF 61/Section 9**



Meets the American Disabilities Act Guidelines and **ANSI A117.1** Requirements for the physically challenged.

